

TrackMate

HILMAN ROLLERS

Self Guiding Dual Flanged Dolly



Capacities: 2.5-ton 5-ton 10-ton 20-ton

HILMAN TrackMate Dollies are an excellent method for increasing productivity in assembly and manufacturing applications, where heavy loads are moved from station to station for various stages of build-up. Designed to ride on a flat bar steel track, **HILMAN** TrackMate Dollies are designed with a flanged roll that guides along the outer edges of the track, to ensure proper alignment throughout the move. Their low profile keeps the workplace safe and their low friction means a smoother move with less downtime.



Shown above are Concrete Prefabricated Structures manufactured on **HILMAN** TrackMate Dollies.

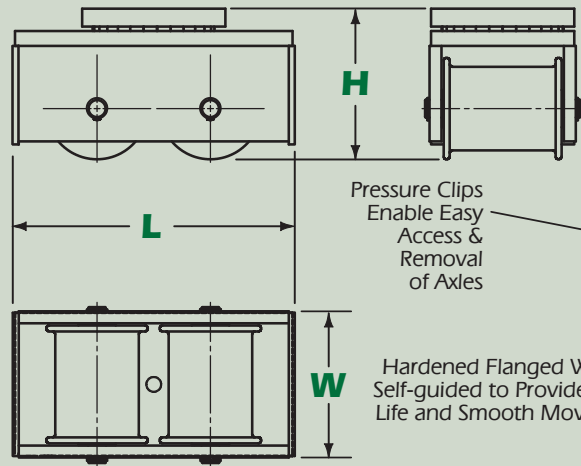


WWW.HILMANROLLERS.COM

TrackMate

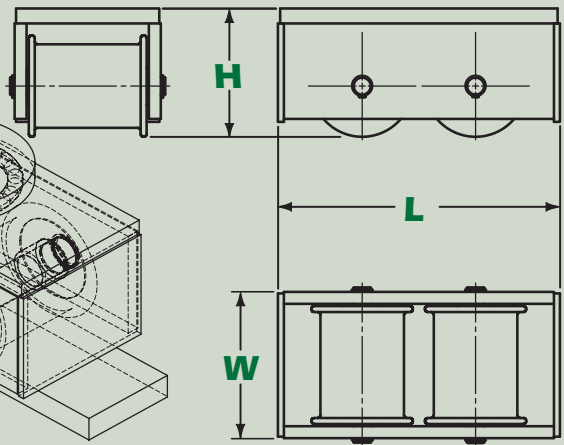
With capacities up to 20-tons, standard **HILMAN** TrackMate Dollies are offered in rectangular shape, with two types of tops; Swivel or Rigid.

TMS TrackMate Swivel Smooth Rectangle



Swivel Top Plate with Ball Bearings Reduces Friction when Turning (Swivel Smooth models)

TMR TrackMate Rigid Smooth Rectangle



Pressure Clips Enable Easy Access & Removal of Axles

Hardened Flanged Wheels Self-guided to Provide Long Life and Smooth Movement

Sealed Bearings Lower Friction and Protect from Elements

TrackMate Standard Dollies Series Specifications

Swivel Style

Product	Capacity	Height (H)	Width (W)	Length (L)	Weight
2.5-TMS	2.5-tons	4.53" / 115 mm	6.13" / 156 mm	9.31" / 237 mm	29 lb / 13 kg
5-TMS	5-tons	6.32" / 161 mm	6.13" / 156 mm	11.81" / 300 mm	63 lb / 29 kg
10-TMS	10-tons	6.82" / 174 mm	6.13" / 156 mm	13.31" / 338 mm	76 lb / 34 kg
20-TMS	20-tons	7.69" / 196 mm	6.63" / 168 mm	15.56" / 395 mm	119 lb / 54 kg

Rigid Style

Product	Capacity	Height (H)	Width (W)	Length (L)	Weight
2.5-TMR	2.5-tons	3.60" / 92 mm	6.13" / 156 mm	9.31" / 237 mm	28 lb / 13 kg
5-TMR	5-tons	5.38" / 137 mm	6.13" / 156 mm	11.81" / 300 mm	57 lb / 26 kg
10-TMR	10-tons	5.88" / 150 mm	6.13" / 156 mm	13.31" / 338 mm	70 lb / 32 kg
20-TMR	20-tons	6.75" / 172 mm	6.63" / 168 mm	15.56" / 395 mm	113 lb / 51 kg

Modifications & Options

HILMAN TrackMate Dollies can be easily modified in any number of ways, including custom tops for mounting/fastening to the load, brush-wiper systems to clear debris from the track and custom shaped steel frames to suit your application requirements. **HILMAN** can also design and supply the steel flat bar tracks, and track-turntables in case you need to make turns; for a complete system.

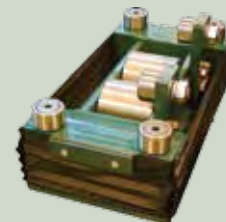
Parallelogram



Trapezoid



Turntable Systems



Dust Protection Drapes

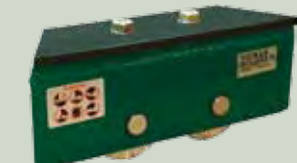


Top Shapes

Angled End Plate Functions as Track Cleaner



Galvanized



Preload Pads Cushion the Load



Accu-Roll Guidance Systems



Debris Sweeping Track Wipers



WWW.HILMANROLLERS.COM

12 Timber Lane Marlboro, NJ 07746 USA • tel: 732-462-6277 • fax: 732-462-6355 • e-mail: sales@hilmanrollers.com

All capacities are in metric tons. The specifications are given as general information only and are not binding. Hilman Rollers reserves the right to change specifications or make alterations to products, parts or accessory equipment at any time without prior notice and for any reason whatsoever.

© 2010 • Hilman Rollers • All rights reserved

TM-10